



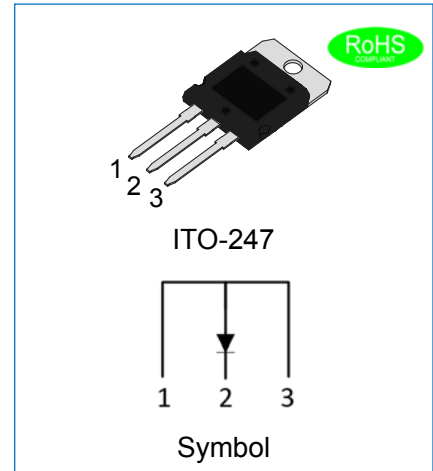
## GP9016IS GENERAL PURPOSE RECTIFIER

Preliminary

Rev.0.1

### DESCRIPTION:

- ◇ Plastic package has underwriters laboratories flammability classification 94V-0
- ◇ Glass passivated chip junction
- ◇ Lead free in compliance with EU RoHS 2011/65/EU directive



### MECHANICAL DATA

- ◇ Case: ITO-247, molded plastic over passivated junction
- ◇ Terminals: Solder plated, solderable per J-STD-002
- ◇ Internally constructed isolated package is offered for ease of heat sinking with highest isolation voltage
- ◇ Weight: 10.2 gram

### ABSOLUTE MAXIMUM RATING AND ELECTRICAL CHARACTERISTICS

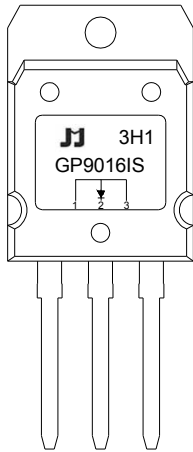
(Rating at 25°C ambient temperature unless otherwise specified and refer to a single diode.)

Parameter	Symbol	GP9016IS	Unit
Maximum repetitive peak reverse voltage	$V_{RRM}$	1600	V
Maximum RMS voltage	$V_{RMS}$	1120	V
Maximum DC blocking voltage	$V_{DC}$	1600	V
Maximum average forward current at $T_L=100^\circ\text{C}$	$I_{F(AV)}$	90	A
Peak forward surge current: 8.3ms single half sine-wave superimposed on rated load (JEDEC method)	$I_{FSM}$	1150	A
Maximum forward voltage@ $I_F=90\text{A}$	$V_F$	1.2	V
Maximum DC reverse current at rated DC blocking voltage	$T_j=25^\circ\text{C}$	10	$\mu\text{A}$
	$T_j=150^\circ\text{C}$	1.5	mA
Typical junction capacitance $V_R=4.0\text{V}$ , $f=1\text{MHz}$	$C_J$	60	pF
Operating junction and storage temperature range	$T_J, T_{STG}$	-55 to +150	$^\circ\text{C}$

**THERMAL RESISTANCES**

Symbol	Parameter	GP9016IS	Unit
$R_{th(j-c)}$	Junction to case	1.6	°C/W

**MARKING**



G	General Purpose Rectifier
P	Pin
90	$I_{F(AV)}=90A$
16	$V_{RRM}:1600V$
IS	Package: ITO-247

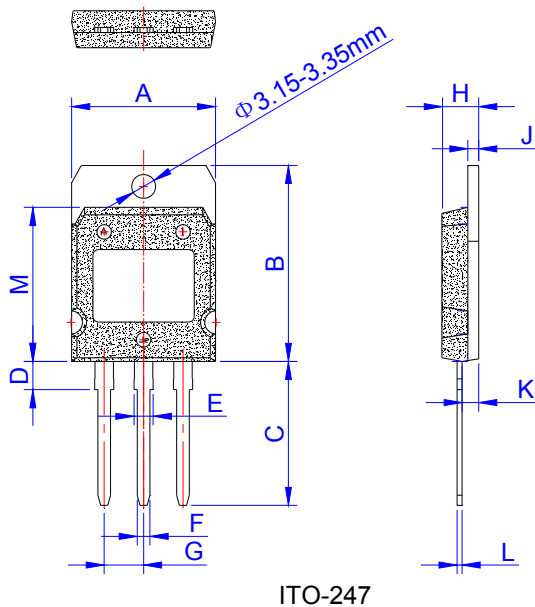
xH1: Month, 1、2、3 ~ 9、A、B、C

3x1:

2018	2019	2020	2021	2022	2023	2024
H	I	J	K	L	M	N
2025	2026	2027	2028	2029	2030	...
O	P	Q	R	S	T	...

3Hx: Batch number

**PACKAGE MECHANICAL DATA**

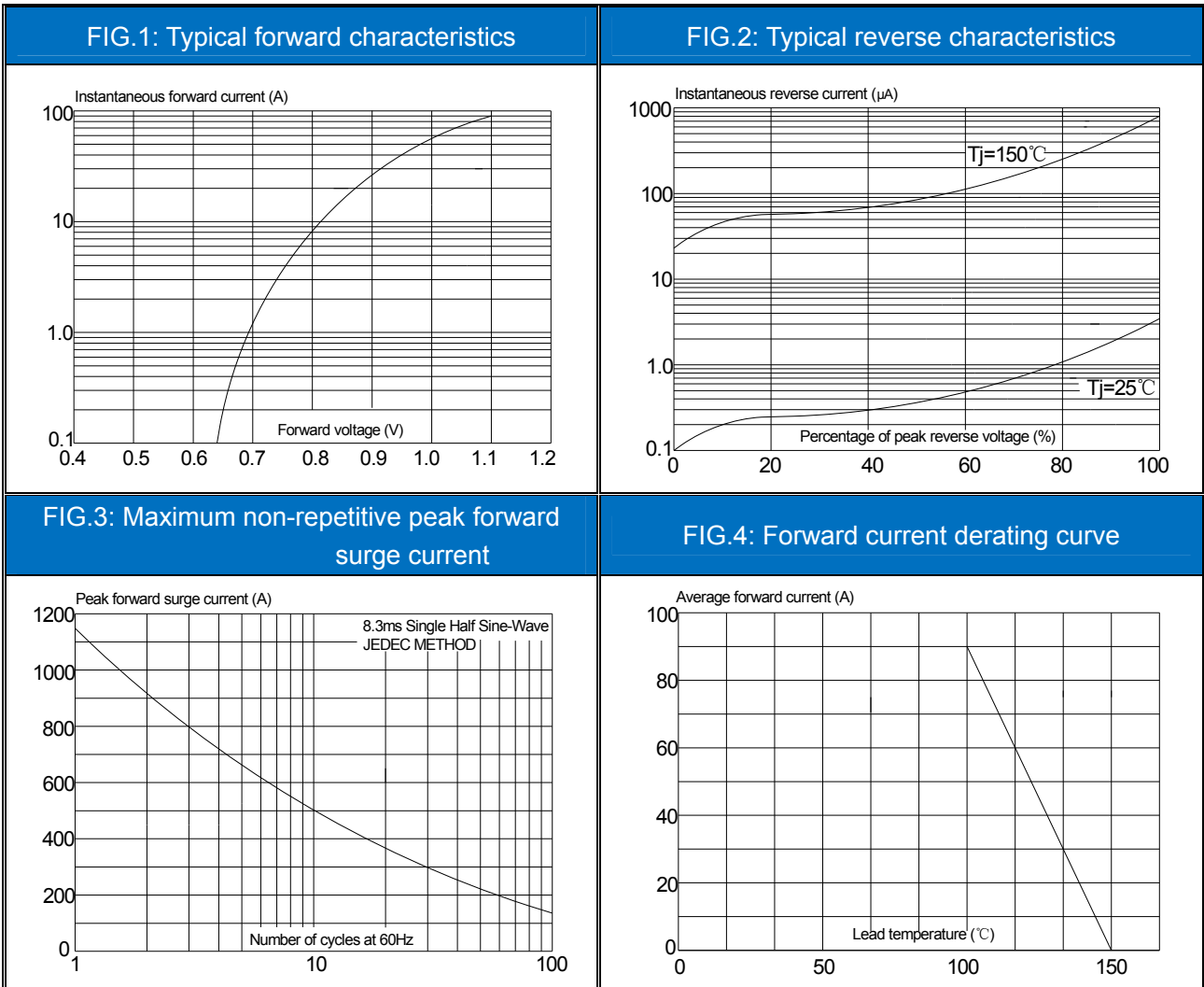


Ref.	Dimensions					
	Millimeters			Inches		
	Min.	Typ.	Max.	Min.	Typ.	Max.
A	19.7	19.9	20.1	0.776	0.783	0.791
B	26.9	27.1	27.3	1.059	1.067	1.075
C	19.4	19.9	20.4	0.764	0.783	0.803
D	3.80	3.90	4.00	0.150	0.154	0.157
E	2.56	2.66	2.76	0.101	0.105	0.109
F	1.66	1.76	1.86	0.065	0.069	0.073
G		5.45			0.215	
H	5.05	5.10	5.50	0.199	0.201	0.217
J	1.45	1.50	1.55	0.057	0.059	0.061
K	2.20	2.30	2.40	0.087	0.091	0.094
L	0.60	0.70	0.80	0.024	0.028	0.031
M	21.2	21.3	21.4	0.835	0.839	0.843

PACKAGE INFORMATION-ITO-247

OUTLINE	UNIT WEIGHT (g/PCS) typ.	TUBE (PCS)	PER CARTON (PCS)
TUBE	10.2	25	1,600

CHARACTERISTICS CURVE




Information furnished in this document is believed to be accurate and reliable. However, Jiangsu JieJie Microelectronics Co.,Ltd assumes no responsibility for the consequences of use without consideration for such information nor use beyond it.

Information mentioned in this document is subject to change without notice, apart from that when an agreement is signed, Jiangsu JieJie complies with the agreement.

Products and information provided in this document have no infringement of patents. Jiangsu JieJie assumes no responsibility for any infringement of other rights of third parties which may result from the use of such products and information.

This document is the 0.1st version which is made in 20-Dec.-2021. This document supersedes and replaces all information previously supplied.

 is a registered trademark of Jiangsu JieJie Microelectronics Co.,Ltd.

Copyright ©2021 Jiangsu JieJie Microelectronics Co.,Ltd. Printed All rights reserved.