



J5GxxxM3LF Gas Discharge Tube

Rev.1.1

FEATURE

- ✧ Eliminates small size design EIA 12.0×5.0mm.
- ✧ Current handling capability 5KA @ 8/20μs.
- ✧ Low capacitance and insertion loss.
- ✧ Fast response and long service life.
- ✧ Reliable to protect electrostatic surge.
- ✧ Moisture sensitivity level: Level 1.



Exterior



Schematic symbol

APPLICATION INFORMATION

- ✧ Repeaters, modems.
- ✧ Telephone interface, line cards.
- ✧ Data communication equipment.
- ✧ Line test equipment.
- ✧ Power supplies

ELECTRICAL CHARACTERISTICS

Part number	DC breakdown voltage 100V/s(V)	Tolerance of V_S	Impulse spark-over voltage 1KV/μs(V)	Impulse discharge current 8/20μs(kA)	Insulation resistance		C_0 (1MHz)
					GΩ	DC(V)	
J5G091M3LF	90	±20%	≤800	5	≥1	50	≤1.5pF
J5G231M3LF	230	±20%	≤1000	5	≥1	100	≤1.5pF
J5G421M3LF	420	±20%	≤1200	5	≥1	100	≤1.5pF

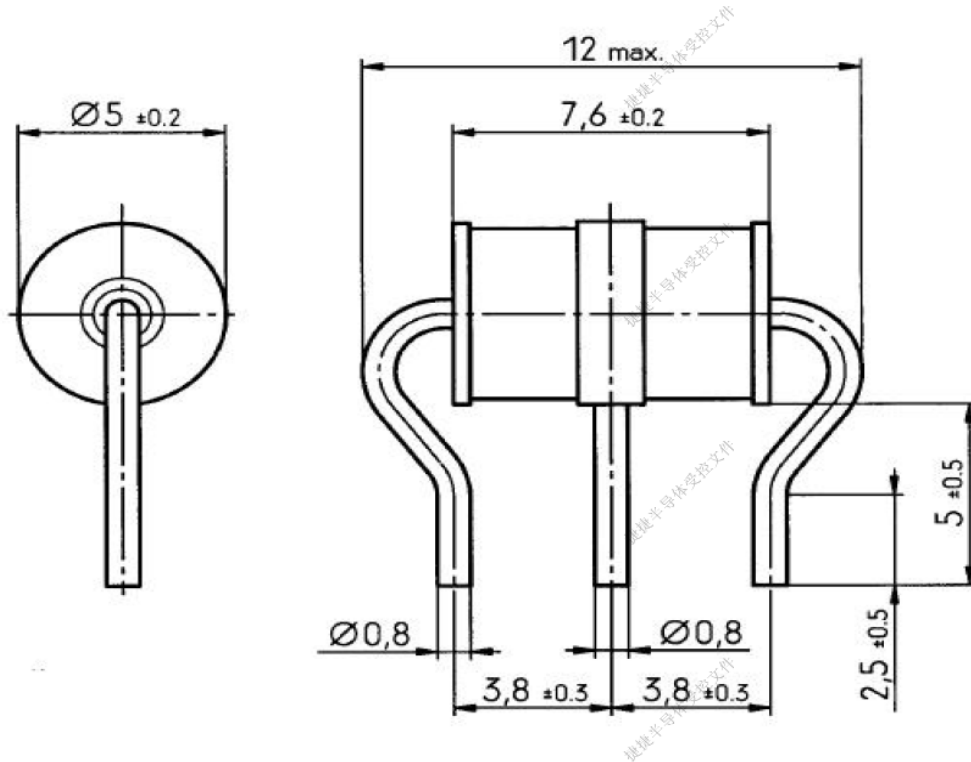
1. The parameters of all tested by ITU-T K12.
2. Total Impulse discharge current 5KA@ 8/20μs by IEC 61000-4-5, 10 shots.
3. The capacitance is tested by 1MHz@DC=0.5V.

PART NUMBERING SYSTEM

J5G 091 M 3L F
 (1) (2) (3) (4) (5)

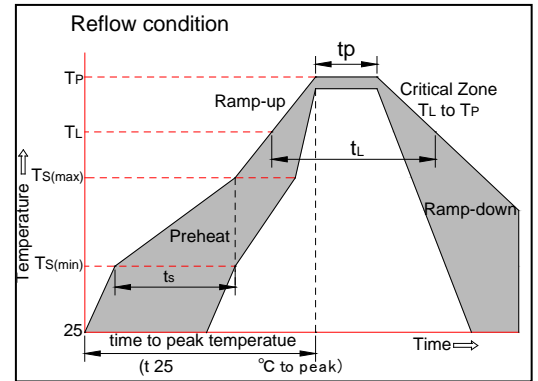
- (1) JieJie 5KA gas discharge tube
- (2) DC breakdown voltage, e.g., 091=09 × 10¹=90V
- (3) Tolerance is DC breakdown voltage, M=+-20%, N=+-30%
- (4) 3-electrod DIP
- (5) Dimension in 12.0 × 7.6 × 5.0 (mm)

PRODUCT DIMENSIONS (unit: mm)

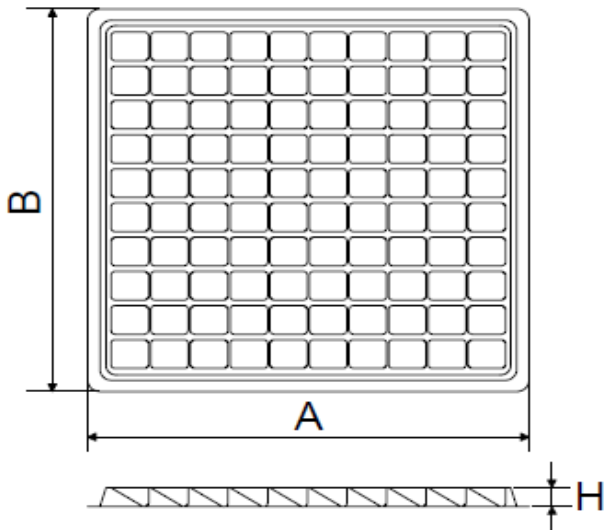


REFLOW PROFILE

Reflow Condition		Pb-Free assembly (see figure at right)
Pre Heat	-Temperature Min ($T_{s(min)}$)	+150°C
	-Temperature Max($T_{s(max)}$)	+200°C
	-Time (Min to Max) (ts)	60-180 secs.
Average ramp up rate (Liquidus Temp (T_L)to peak)		3°C/sec. Max
$T_{s(max)}$ to T_L - Ramp-up Rate		3°C/sec. Max
Reflow	-Temperature(T_L)(Liquidus)	+217°C
	-Temperature(t_L)	60-150 secs.
Peak Temp (T_p)		+260(+0/-5)°C
Time within 5°C of actual Peak Temp (t_p)		~10 secs.
Ramp-down Rate		6°C/sec. Max
Time 25°C to Peak Temp (T_p)		8 min. Max
Do not exceed		+260°C



PACKAGE BOX INFORMATION



Symbol	Dimension(mm)	
	Spec.	Tolerance
A	160.0	± 3.0
B	160.0	± 3.0
H	13	± 2.0

PACKAGING


Part No.	Box Quantity (pcs)	Per Carton (pcs)
J5GxxxM3LF	100	10000

Information furnished in this document is believed to be accurate and reliable. However, Jiangsu JieJie Microelectronics Co.,Ltd assumes no responsibility for the consequences of use without consideration for such information nor use beyond it.

Information mentioned in this document is subject to change without notice, apart from that when an agreement is signed, Jiangsu JieJie complies with the agreement.

Products and information provided in this document have no infringement of patents. Jiangsu JieJie assumes no responsibility for any infringement of other rights of third parties which may result from the use of such products and information.

This document is the first version which is made in 19-Aug.-2016. This document supersedes and replaces all information previously supplied.

 is a registered trademark of Jiangsu JieJie Microelectronics Co.,Ltd.

Copyright©2016 Jiangsu JieJie Microelectronics Co.,Ltd. Printed All rights reserved.